

**MFC1000**  
MOBILE  
FUME  
CUPBOARD

# Circulaire MFC1000

## Mobile Filtration Fume Cabinet



The new [Circulaire MFC1000](#) mobile filtration fume cabinet incorporates the latest in containment technology to provide full compliance with COSHH regulations and British Standard BS7989:2001.

The MFC1000 has been designed for use in Schools/Colleges/Universities where practical demonstrations require a mobile system for students to view easily. The system is however equally at home in a laboratory or industry environment.

- Independently tested by CLEAPSS to ensure compliance with BB88
- Large capacity activated carbon filters – assures years of uninterrupted service
- Filters remove fumes from all chemicals used in the GCSE & A level curricular and beyond – other types are available for non-educational use
- Full width extra high opening aperture for easy access to the work area
- Sloping front and rear with all round clear acrylic glazing for maximum visibility
- Optional gas and water services with reinforced connection hoses & stainless steel security tether
- Fully mobile – fitted with locking wheels and side handles
- Will fit through any standard doorway
- Option overhead light for maximum illumination of the work area
- Front mounted double electrical socket (Euro or US style available upon request)



Low airflow alarm



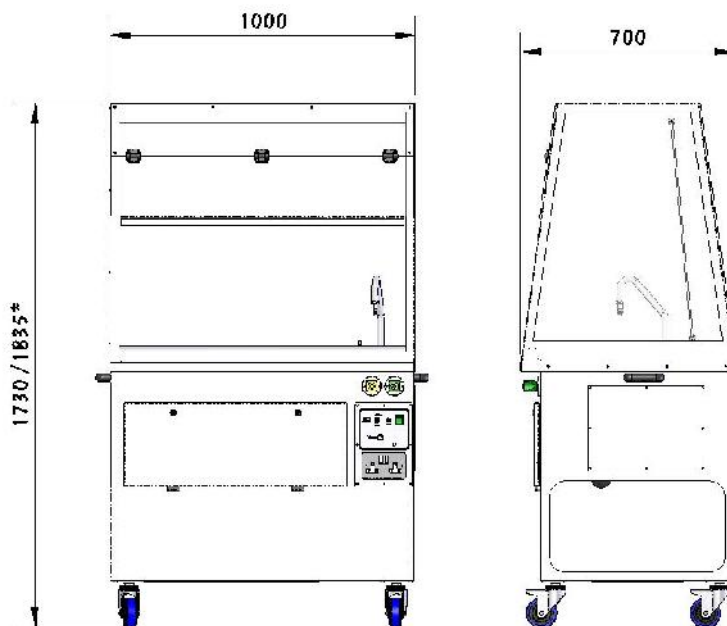
Control/alarm panel



Deep lipped spillage tray



Optional Gas / Water Services



\* Height when optional light module fitted

## Specifications

External Dimensions	1000mm Wide 700mm Deep 1730mm High (1835mm with optional light)
Internal Dimensions	985mm Wide 680mm Deep 850mm High
Aperture Size	900mm Wide x 360mm High (360mm from Sill, 400mm from worksurface)
Carbon Filter Type	Special blend of impregnated carbon suitable for use with all chemicals used in school curriculum
Carbon Filter Size	2 x 11Kg
Carbon Filter Life	Typically 4 to 5 years in a typical educational environment
Pre-Filter Type	'Filtrete' Electrostatic Media
Pre-Filter Size	600mm x 340mm
Pre-Filter Life	Typically 12 months in a typical educational environment
Airflow Monitoring	Electronic
Electrical Requirements	230V/50Hz AC - 400W Or 110V/60Hz AC - 800W
Construction	Epoxy Powder coated zintec steel with clear acrylic front, side and back glazing and GRP chemical resistant worksurface tray
Noise level	<60 dB(A)
Lighting	Optional >700 Lux
Weight	130Kg



# WolfLabs

**Pricing on any accessories shown can be found by keying the part number into the search box on our website.**

The specifications listed in this brochure are subject to change by the manufacturer and therefore cannot be guaranteed to be correct. If there are aspects of the specification that must be guaranteed, please provide these to our sales team so that details can be confirmed.

**[www.wolflabs.co.uk](http://www.wolflabs.co.uk)**

**Tel : 01759 301142**

**Fax : 01759 301143**

**[sales@wolflabs.co.uk](mailto:sales@wolflabs.co.uk)**

Please contact us if this literature doesn't answer all your questions.